



MERCURA®

International Co
icotrade
for trading & Hotels Supplies

ALUMINIUM MOBILE SOLUTIONS



MED_EN_2011

MEDICAL



Baccarat

FEATURES

- Multi-purpose nursing trolley with 6 levels for module baskets
- 6 runners with stop at both ends to secure baskets even when they are pulled out
- 2 support brackets for attachment of many accessories
- Scratch-proof and disinfectant resistant tabletop without upstands, in Volkern (3 colours to choose from)
- 4 swivel wheels Ø 100 mm in non-marking grey rubber with circular buffer to protect walls and trolley
- Fully customisable with many accessories to choose from

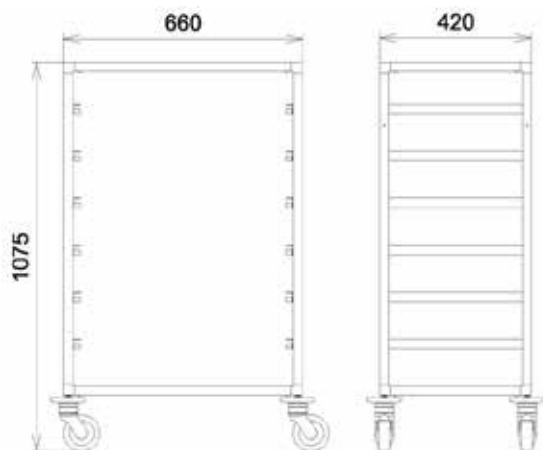


► Baccarat
► Ref 001 130 1



Baccarat
Ref. 001 130 1
+ option 3 upstands

Dimensions (mm) :



	BASKETS		Height	
	400 x 600 mm	50 mm	100 mm	200 mm
Modular basket for Baccarat		816 623 810	1 623 800	1 623 1
Transversal separation		862 623 848	1 623 840	1 623 1
Lengthwise separation		864 623 850	1 623 842	1 623 1



► Stop at both ends to secure baskets even when they are pulled out

Baccarat C

FEATURES

- Multi-purpose nursing trolley in anodized aluminium, closed with a roller shutter and key lock
- Synthetic tracks with stopping and reclining device for baskets (°5 et °30)
- worktop fitted with 3 upstands

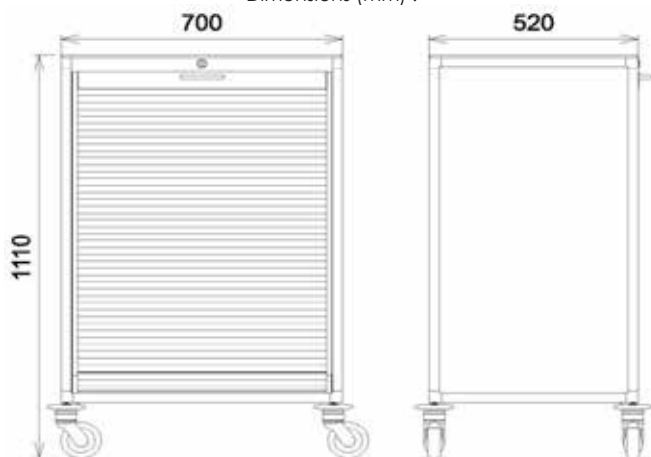


Baccarat C
Ref. 003 130 1



Baccarat C
Ref. 003 130 1
+ digital key lock option réf. 850 052 1

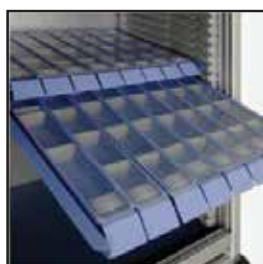
Dimensions (mm) :



► Synthetic track details



► Basket



► Pillbox tray
► Ref 830 623 1



► Tray with stopping device
► Ref 820 1623



► Transparent plastic box

Medicar

Mercura Industries is proud to present its brand new line of ward & nursing trolleys.

The new MEDICAR is the result of Mercura's more than 50 years know-how, expertise and research. Just as any MERCURA® trolley, the MEDICAR complies to the highest quality standards. Along with a new ergonomic and modular design, the MEDICAR is flexible and adaptable, offering a solution for everyone's specific needs.

MAIN FEATURES

- New **ergonomic** and **attractive** design
- **High quality** components
- Completely **flexible** et **adaptable**
- **Large choice** of models and configurations to respond to your personal requirements
- Fully modular concept with many **accessories**
- We will be happy to assist you in finding a solution to your specific needs



MW = sans poignées

* Different possibilities for the drawers

Medicar M6 + M7

MULTI-PURPOSE NURSING TROLLEY

- Anodized aluminum structure : hygienic, light and solid
- Tabletop, back and bottom panels made of non scratching, ultra resistant Volkern (choice of 3 colors)
- 4 swivel wheels Ø 100mm with circular buffers
- drawers to support plastic baskets or aluminum trays with stopping device

FEATURES

- Medicar M6 : 6 x 13 cm high drawers
- Medicar M1 : 7 x 8 cm high drawer, 4 x 13 cm high drawers and 1 x 24 cm high drawer

ACCESSORIES

- Numerous accessories are adaptable at the time of order or post order (see price list p. 13-12)



Medicar **M6**
Ref. **055 282 1**

+ option pull-down extra worktop
and multi-purpose fixing bar



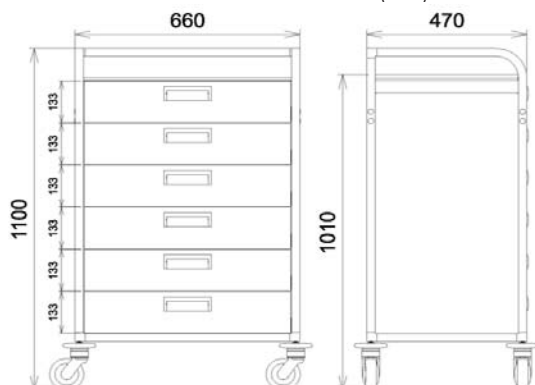
* Wide range of possible interior fittings



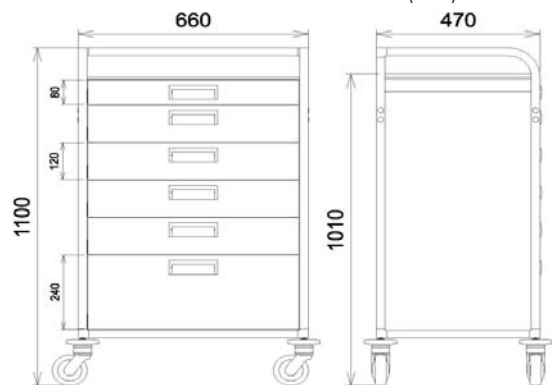
Medicar **M7**
Ref. **057 282 1**

+ option 2 wheels with brake and centralized locking device

Dimensions Medicar M6 (mm) :



Dimensions Medicar M7 (mm) :



Medicar

MULTI-PURPOSE NURSING TROLLEY

- Sturdy construction made of anodised aluminium: light-weight, highly manoeuvrable, robust
- Scratch-resistant tabletop surface in Volkern (3 colours to choose from). Easy to clean and disinfectant-resistant surfaces
- Available in 2 sizes : **M** medium, **H** high
- 4 swivel wheels Ø 100 mm with circular protection buffer

OPTIONS

- Double-sided lateral panels: Volkern outside and anodised aluminium inside
- Shelves in anodised aluminium
- Choice of 16, 8 et 24 cm high drawers with optional separations
- Central locking system for drawers
- Doors in aluminium (magnetic closing or lock)
- Brake(s) or silent wheels

ACCESSORIES

- A large choice of accessories is available to customise your Medicar trolley according to your needs (p. 13-12)



Medicar **M5**
 Ref. **050 282 1**



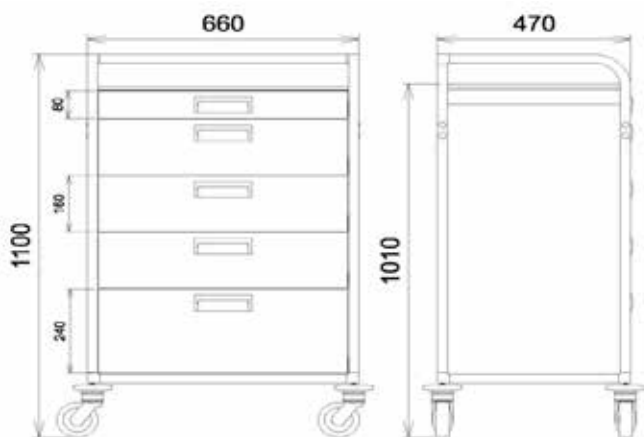
Medicar **M4**
 Ref. **041 282 1**

+ options: lock & side support bar for accessories

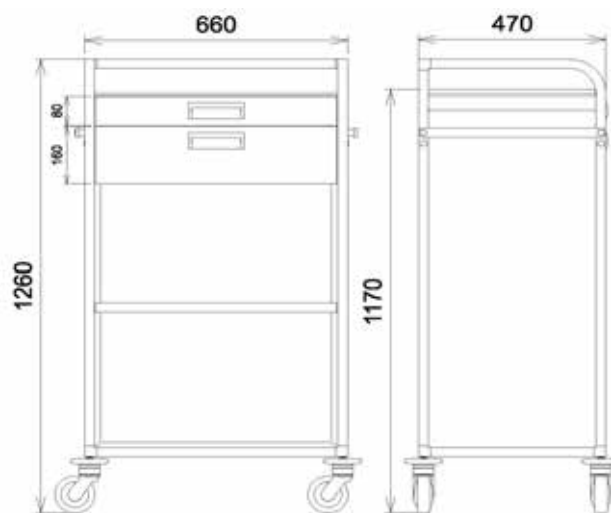


Medicar **M3**
 Ref. **031 282 1**

Available in 2 sizes (mm) :



SERIES M



SERIES H

Combicar

Ward trolley for combined transport of clean and soiled linen and waste

- Multi-purpose nursing trolley MEDICAR combined with sack holder OSAKA, for soiled linen and/or waste
- Available in fixed version or in 2 separate units
- Anodized aluminum structure : hygienic, light and solid
- Scratch-resistant tabletop surface in Volkern (3 colours)
- Numerous possible options for sliding table tops, drawers, shelves, doors, accessories
- Double or quadruple sack holder with lids

ACCESSORIES

- A large choice of accessories is available to customise your Combicar trolley according to your needs (p. 13-12)



Combicar M1
Detachable version with 2 sack holders
Ref. 610 282 1

+ Shown with optional silent wheels



Combicar M1
with 2 sack holders
Ref. 510 282 1

Shown with top trays : Welcome 60 mm + 120 mm Ref. 246 282 1 + 245 282 1

- ▶ **Detachable version** with optional attaching system to clip both units together. Allows combined or separate use. Allows to store clean and dirty units separately, depending on your needs and your internal logistics policy.

- ▶ **Fixe version** (4 wheels)



- ▶ Optional detachable version : easy to clip both units together.

- ▶ Pedal system to open lid

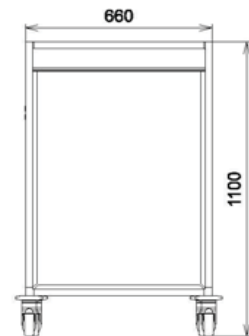
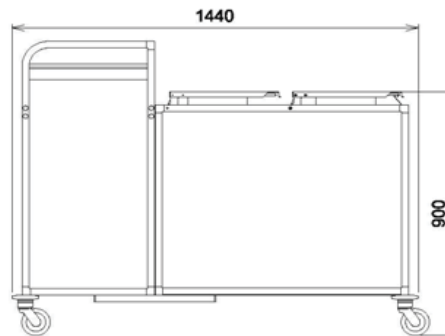
Combicar



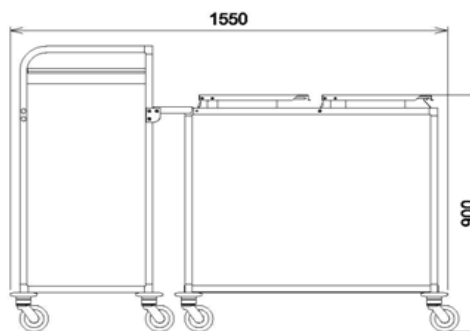
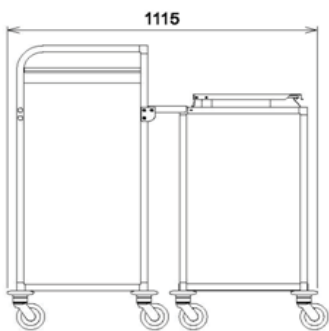
Combicar M3
 Detachable version with 3 sack holders & linen cabinet

+ with optional silent wheels

FIXED MODEL (mm)



DETACHABLE MODEL (mm)



LINEN BAGS IN POLYESTER 60L



	813 158 1
	812 158 1
	81 158 1
	811 158 1

► Striped bags in washable polyester, with nylon string and fix-lock system. Available in 4 colors.

PLASTIC BAGS 60L



	100 pieces	702 158 1
	1000 pieces	712 158 1
	5000 pieces	722 158 1
	100 pièces	701 158 1
	1000 pièces	711 158 1
	5000 pièces	721 158 1

► Ultra-resistant bags in polyethylene with gusset. Available in 2 colors.

Isolcar

FEATURES

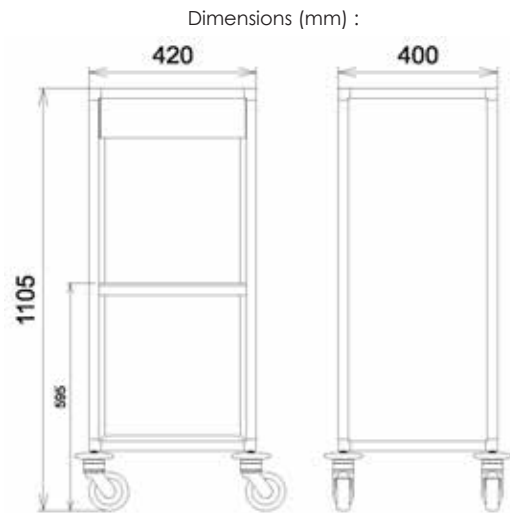
- Isolation cart made of anodized aluminum
- Top container entirely made of anodized aluminum
- Sides, back and bottom made of Volkern (choice of 3 colors)
- Removable shelf made of Volkern
- 4 swivel wheels Ø 100 mm

OPTION

- Aluminum handle
- Extra shelf
- Towel bar



► Isolcar
Ref. 009 139 1



► Top container in aluminum



► Removable shelf in Volkern



► Handle (option)

Visitcar

MEDICAL FILES TROLLEY

- Trolley used for transport of documents during the doctor's visit
- Sturdy construction made of anodised aluminium: light-weight and easy to handle. Large worktop made strong scratch-resistant Volkern (choice of 3 colors).
- Custom-made partitioning
- This trolley is made entirely **à la carte** according to your specific needs and number of patients to visit.

Do not hesitate to contact our customer service, we will be happy to assist you in finding a solution to your requirements.



► Tripoli (option) : diagonal file compartments on side panel. Always within reach.



► Plastic drawers for A4 with pull-out stops and replacable labels (option)
 Simple: 300 x 360 x 45 mm
 Double: 300 x 360 x 90 mm



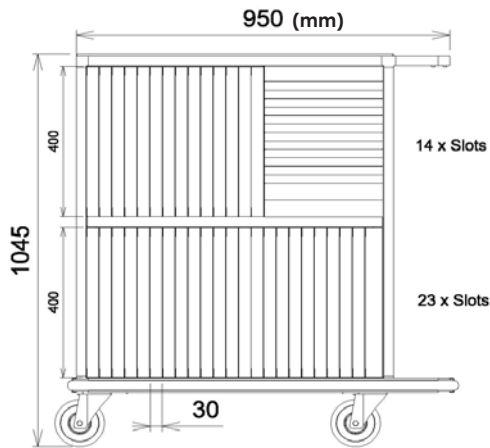
► Steering handle



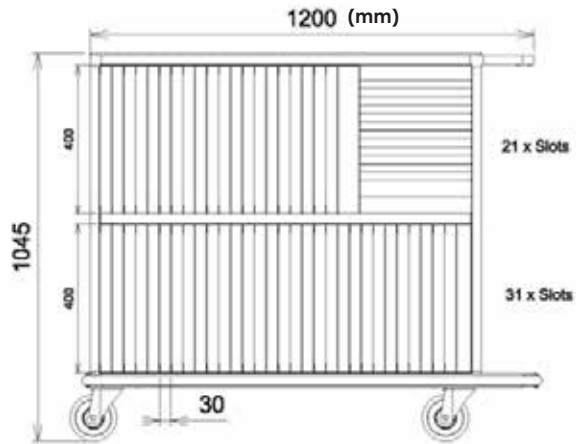
► All-round bumper to protect walls and trolley

A few possible examples

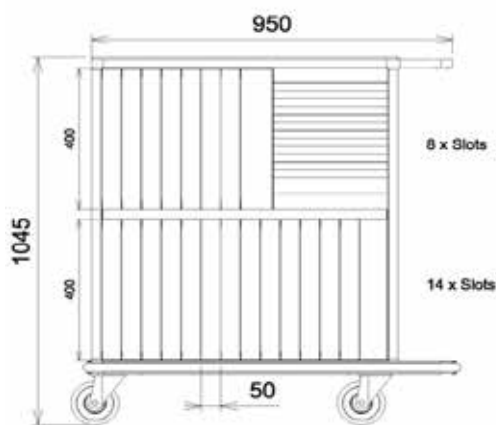
Visitcar



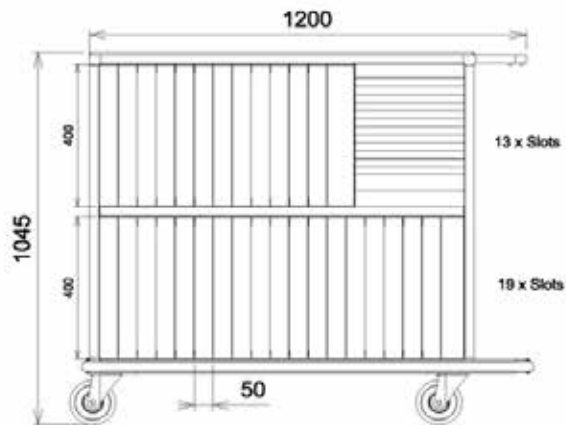
► Visitcar 30 - 750
Ref. 020 310 1



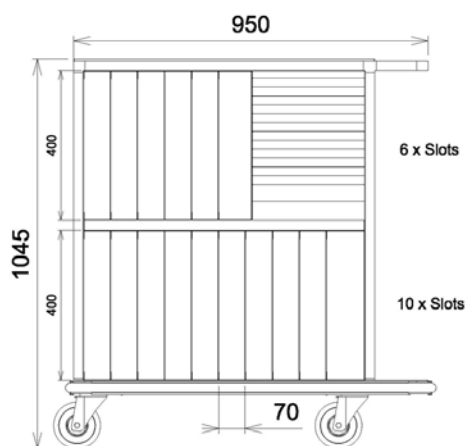
► Visitcar 30 - 1000
Ref. 030 310 1



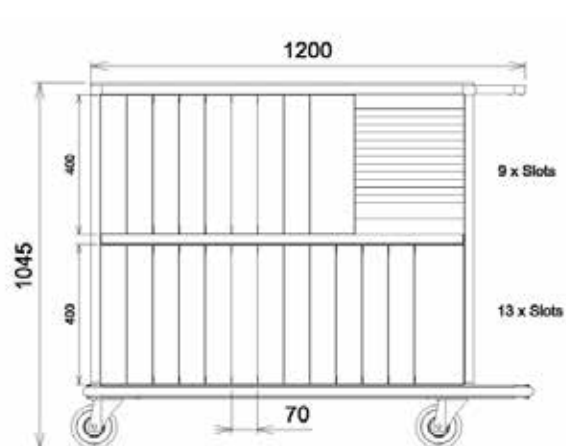
► Visitcar 50 - 750
Ref. 021 310 1



► Visitcar 50 - 1000
Ref. 031 310 1



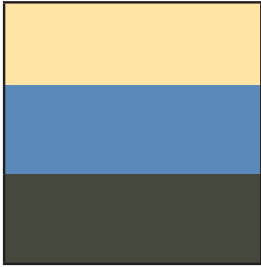
► Visitcar 70 - 750
Ref. 022 310 1



► Visitcar 70 - 1000
Ref. 032 310 1



Accessoires



▶ Vanilla yellow - Lavender blue - Grey



▶ Multi-purpose fixing bar for accessories
 ▶ Ref. **224 282 1**



▶ Attachment hook for sack holder
 ▶ Ref. **226 282 1**



▶ Welcome: removable top trays in anodised aluminium
 ▶ Ref. 60 mm **245 282 1**
 Ref. 120 mm **246 282 1**



▶ Central locking system for drawers
 ▶ Ref **198 282 1**



▶ Digital coded lock
 ▶ Ref **850 052 1**



▶ Magnetic card lock
 ▶ Ref **851 052 1**



▶ Anodised aluminium bottle holder
 ▶ Ref **240 282 1** - 520x100x100 mm



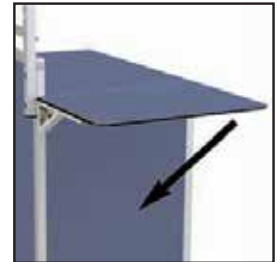
▶ Support for round disposal box for needles
 ▶ Ref **237 282 1** - 130x130 mm



▶ Support for square disposal box for needles
 ▶ Ref **236 282 1** - 165x165 mm



▶ Wire holder for waste bag with lid
 ▶ Ref **206 282 1**



▶ Pull-down extra worktop - 350x470 mm
 ▶ Ref **646 280 1**



▶ Starbox : multi-purpose box with lid - 370x150x210 mm
 ▶ Ref **230 282 1**



▶ Removable box in anodised aluminium for suspension files - 380x260x340 mm
 ▶ Ref **232 282 1**



▶ Support for 300 x 400 mm + plastic instrument container
 ▶ Ref **804 623 1 + 001 139 1**



▶ Vertical support frame for accessories
 ▶ Ref **220 282 1**



▶ Pivoting boxes, 3 sizes : 6 - 5 - 4
 ▶ Ref **215 282 1**



▶ Wire basket for horizontal mounting - 340x120x90 mm
 ▶ Ref **213 282 1**



▶ Silent wheels
 ▶ Ref **250 282 1**

Accessoires



▶ Plastified wire holder for waste bag with plastic lid
▶ Ref **200 282 1**



▶ Holder in anodised aluminium for gloves box - 240x70x120 mm
▶ Ref **212 282 1**



▶ Soap dispenser mounted on vertical bar - 75x75x100 mm
▶ Ref **210 282 1**



▶ Perfusion holder
▶ Ref **217 282 1**



▶ Folding holder in anodised aluminium for plastic waste bag. With lid.
▶ Ref **204 282 1**



▶ Folding suport platform
▶ Ref **162 282 1**



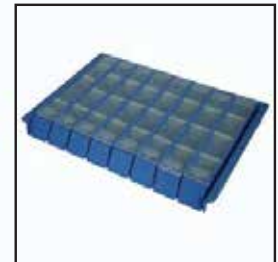
▶ Euronorm baskets in ABS and PC



▶ Separations in aluminium and plastic



▶ Drawer with optional removable separations
▶ Ref **190 282 1**



▶ Pillbox tray (8 rows)
▶ Ref **830 623 1**



▶ Transparent plastic removable boxes with 6 separators



▶ Tray with stopping device
▶ Ref **820 623 1**



▶ Open box - 420x185x155 mm
▶ Ref **243 282 1**



▶ Tray for plastic doses
▶ Ref **832 623 1**

BASKETS	Height			
	400 x 600 mm	50 mm	100 mm	200 mm
Basket	816 623 810	1 623 800	1 623 1	
Transversal separation	862 623 848	1 623 840	1 623 1	
Lengthwise separation	864 623 850	1 623 842	1 623 1	

TRANSPARENT BOXES	
91 x 400 x 81 mm box	871 623 1
183 x 400 x 81 mm box	881 623 1

Medicar

TYPE	Code	TYPE	Code
 <p>Medicar M1</p> <ul style="list-style-type: none"> • Height : 1100 mm • Open model • 2 shelves in anodised aluminium 	010 282 1	 <p>Medicar H1</p> <ul style="list-style-type: none"> • Height : 1260 mm • Open model • 2 shelves in anodised aluminium 	060 282 1
 <p>Medicar M2</p> <ul style="list-style-type: none"> • Height : 1100 mm • Enclosed model • Worktop shelf • 2 shelves 	020 282 1	 <p>Medicar H2</p> <ul style="list-style-type: none"> • Height : 1260 mm • Enclosed model • Worktop shelf • 2 shelves 	065 282 1
 <p>Medicar M3</p> <ul style="list-style-type: none"> • Height : 1100 mm • Enclosed model • 1 drawer 8 cm • 1 drawer 16 cm • 1 shelf 	031 282 1	 <p>Medicar H3</p> <ul style="list-style-type: none"> • Height : 1260 mm • Enclosed model • 1 drawer 8 cm • 1 drawer 16 cm • 1 shelf 	070 282 1
 <p>Medicar M4</p> <ul style="list-style-type: none"> • Height : 1100 mm • 1 drawer 8 cm • 1 drawer 16 cm • 2 doors 	041 282 1	 <p>Medicar Mw5</p> <ul style="list-style-type: none"> • Height : 1100 mm • 1 drawer 8 cm • 3 drawers 16 cm • 1 drawer 24 cm 	053 282 1
 <p>Medicar M5</p> <ul style="list-style-type: none"> • Height : 1100 mm • 1 drawer 8 cm • 3 drawers 16 cm • 1 drawer 24 cm 	051 282 1		

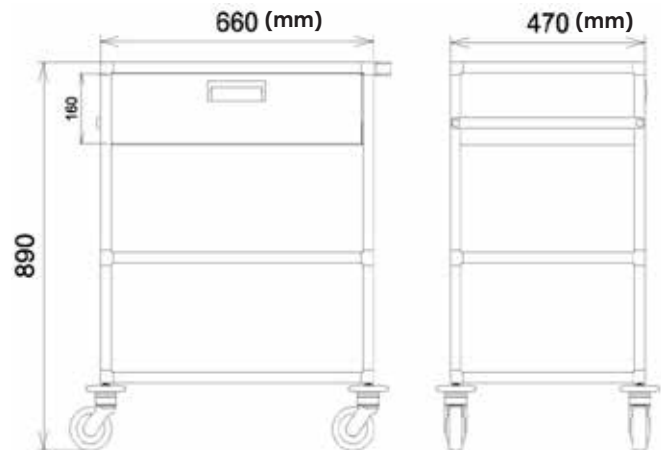
Combicar avec poignées / met handgrepen

TYPE		Fixed model	Removable model
	<p>Combicar M1</p> <ul style="list-style-type: none"> • Height = 1100 mm • Open model • 2 shelves 	610 282 510	1 282 1
	<p>Combicar M2</p> <ul style="list-style-type: none"> • Height = 1100 mm • Enclosed model • Worktop shelf • 2 shelves 	620 282 520	1 282 1
	<p>Combicar M3</p> <ul style="list-style-type: none"> • Height = 1100 mm • Enclosed model • 1 drawer 8 cm • 1 drawer 16 cm • 1 shelf 	631 282 531	1 282 1
	<p>Combicar M4</p> <ul style="list-style-type: none"> • Height = 1100 mm • 1 drawer 8 cm • 1 drawer 16 cm • 2 doors 	641 282 541	1 282 1
	<p>Combicar M5 - MW5</p> <ul style="list-style-type: none"> • Height = 1100 mm • 1 drawer 8 cm • 3 drawers 16 cm • 1 drawer 24 cm 	551 282 1 (M651 282 1) 553 282 1 (MW653 282 1)	(5 (M5)) (5 (MW5))

Gaby Star

FEATURES

- Small nursing trolley in anodised aluminium, ideal height for blood sampling
- Soft closing drawer 160 mm high
- Worktop with 15 mm high upstands
- 2 removable shelves in ultra-resistant Volkern which can be replaced by plastic baskets
- 4 swivel wheels Ø 125 mm with circular protection buffer



► Choice of baskets and/or shelves



► Steering handle



► Drawer with optional removable separations

